

SINGER
107W50

LIST OF PARTS



SINGER**

MACHINE No. 107w50

THE SINGER MANUFACTURING COMPANY

INDEX

	Page
Accessories.....	13
Bobbin Winder.....	13
Knee Lifter.....	14
Machine No. 107w50.....	5
Numerical List of Parts.....	15

From the library of: Diamond Needle Corp.

INSTRUCTIONS FOR ORDERING

In ordering from this list, use **ONLY** the **PART** number in the **FIRST** column.

The number stamped on a Sewing Machine Part is the number of the Single Part only, except when the part includes Set Screws, Clamping Screws, Studs and Rollers Spun on, Small Wires riveted, or Parts soldered together, etc., which it is necessary to furnish in combination.

Every combination of parts sent out has its specific number which, although not stamped on Parts (except in above case), must be used when ordering the combination.

Each number always indicates the **SAME PART** in whatever list it appears, or for whatever Machine.

The letters after some of the numbers indicate the style of finish only, as follows:

- A—Hardened, Polished, Nickel Plated and Buffed.
- AL—Heat Treated for Toughness.
- ALX—Heat Treated for Toughness and Black Oxide.
- B—Polished, Nickel Plated and Buffed.
- C—Hardened only.
- D—Polished only.
- E—Soft, Not polished.
- F—Hardened and Polished.
- J—Nickel Plated only.
- R—Merlized.
- X—Black Oxide, for Iron and Steel.
- XC—Hardened and Black Oxide, for Iron and Steel.
- Y—Black Nickel Plated only.
- Z—Chromium Plated.

These letters **MUST BE USED** when they appear in the list and **AFTER** the number, as in the list.

In this series

1 to 1500, 200001 to 201500 and 350001 to 351500 are Screw Numbers.

1501 to 1800, 201501 to 201800 and 351501 to 351800 are Nut Numbers.

1801 to 2000, 201801 to 202000 and 351801 to 352000 are Roller Numbers.

2001 to 50000 and 202001 to 350000 are Numbers of Machine Parts.

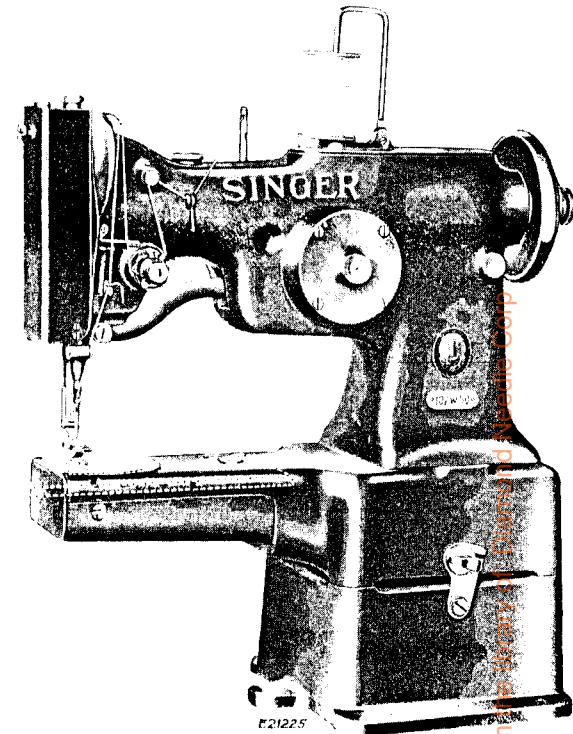
The figures in the second column refer only to the plate in which the illustration of the part is shown and are **NOT TO BE USED** in ordering.

Two or more numbers over a cut indicate that the difference between such parts is not visible in an illustration.

Parts marked with an asterisk (*) are furnished only when repairs are made at the factory.

LIST OF PARTS COMPLETE

FOR



MACHINE No. 107w50

HIGH SPEED ZIGZAG. DROP FEED.
CYLINDER BED.

FOR STITCHING SWEATS TO CAPS AND CLOTH HATS
WITH ZIGZAG LOCK STITCHES.

No.	Plate	Name
*210765	-----	Arm with 202135
203087	18930	Arm Cap
200278X	18930	Arm Cap Screw
202248	18930	Arm Cap Screw Washer
203089	18930	Arm Cap Spool Holder Base
203090	18930	Arm Cap Spool Holder Base 203089 with 200079X and 204296

No.	Plate	Name
200585X	18930	Arm Cap Spool Holder Base Screw
204296	18930	Arm Cap Spool Holder Wire
200079X	18930	Arm Cap Spool Holder Wire Hinge Screw
203088	18930	Arm Cap Spool Holder complete, Nos. 203087, 203090 and two 200585X
204235	18929	Arm Position Pin (2)
200010E	18929	Arm Screw (3)
202005	18929	Arm Screw Washer (3)
202249	18930	Arm Shaft with 224392
240802	18930	Arm Shaft Bushing (back) with 202244
202244	18930	Arm Shaft Bushing (back) Oil Packing (wick)
200338C	18930	Arm Shaft Bushing (back) Set Screw
207080	18930	Arm Shaft Bushing (front) with 202244
202244	18930	Arm Shaft Bushing (front) Oil Packing (wick)
200502X	18930	Arm Shaft Bushing (front) Oil Packing Thumb Screw
200341C	18930	Arm Shaft Bushing (front) Set Screw
224400	18929	Arm Shaft Connection Belt (reinforced neoprene)
202635	18929	Arm Shaft Connection Belt Pulley with 200327C, 200602C and two 202253
200602C	18929	Arm Shaft Connection Belt Pulley Position Screw
200327C	18929	Arm Shaft Connection Belt Pulley Set Screw
202253	18929	Arm Shaft Connection Belt Pulley Spring Flange
224392	18930	Arm Shaft Oil Packing (wick)
*242001	-----	Bed (cylinder)
213890	18934	Bed Base (4 in. high)
Note: Bed Base 213890 is furnished with this machine unless otherwise specified on order.		
213353	18934	Bed Base (6 in. high)
203184	18934	Bed Clamp
200262X	18934	Bed Clamp Hinge Screw
202622	18934	Bed Clamp Packing Washer
200728X	18934	Bed Clamp Thumb Screw
203185	18934	Bed Clamp Thumb Screw Washer
202618	18934	Bed Hinge
201110X	18934	Bed Hinge Screw (6)
210505	18935	Bed Plate (back)
200577AL	18935	Bed Plate (back) Screw (2)
263099	16015	Bobbin
210846	16015	Bobbin Case Base
224429	16015	Bobbin Case Cap with 200592C, 201016C and 263110
224430	16015	Bobbin Case Cap complete, Nos. 200964C, 210736, 210914 and 224429
210913	16015	Bobbin Case Latch
210914	16015	Bobbin Case Latch 210913 with 210734 and 210735
210735	16015	Bobbin Case Latch Fulcrum Pin
210734	16015	Bobbin Case Latch Lever
210736	16015	Bobbin Case Latch Spring
200964C	16015	Bobbin Case Latch Stop Screw

No.	Plate	Name
200607C	18929	Feed Driving Eccentric Regulating Bracket Plunger Spring Stop Screw
201014C	18929	Feed Driving Eccentric Regulating Bracket Stop Screw
201525E	18929	Feed Driving Eccentric Regulating Bracket Stop Screw Nut
200429F	18929	Feed Driving Eccentric Regulating Screw
200383C	18929	Feed Driving Eccentric Regulating Screw Check Screw
202623	18931	Feed Driving Rock Shaft
202625	18931	Feed Driving Rock Shaft Stop Collar with two 200383C (2)
200383C	18931	Feed Driving Rock Shaft Stop Collar Set Screw
202306	18929	Feed Lifting Connection with 200054E and 203101
*210645	-----	Feed Lifting Connection Crank
210589	18931	Feed Lifting Connection Crank 210645 with 200050C and 200378C
200050C	18931	Feed Lifting Connection Crank Pinch Screw
200378C	18931	Feed Lifting Connection Crank Set Screw
202307	18930	Feed Lifting Connection Eccentric with 200382C and 200437C
200437C	18930	Feed Lifting Connection Eccentric Position Screw
200382C	18930	Feed Lifting Connection Eccentric Set Screw
200545C	18929	Feed Lifting Connection Hinge Screw
201518E	18929	Feed Lifting Connection Hinge Screw Nut
203101	18929	Feed Lifting Connection Oil Packing (wick)
200054E	18929	Feed Lifting Connection Pinch Screw
210531	18931	Feed Lifting Rock Shaft (hollow) and Hook Driving Shaft Bearing
202625	18931	Feed Lifting Rock Shaft Stop Collar with 200383C
200383C	18931	Feed Lifting Rock Shaft Stop Collar Set Screw
202310	18930	Feed Regulating Spindle with 202311, 202443 and 202619
*202311	-----	Feed Regulating Spindle Head
202443	18930	Feed Regulating Spindle Head Pin
202619	18930	Feed Regulating Spindle Head Position Pin
224432	16015	Hook (sewing) with 203101 and 263134
224433	16015	Hook 224432 with 200145C, 210536, 210541 and three 200596F
224435	16015	Hook and Bobbin Case complete, Nos. 224431 and 224433
210614	18931	Hook Driving Bevel Pinion (steel) 24 teeth, with two 200378C
200378C	18931	Hook Driving Bevel Pinion Set Screw
210535	18931	Hook Driving Bevel Pinion Shaft
202661	18931	Hook Driving Bevel Pinion Shaft Belt Pulley with 202324 and two 200378C
200378C	18931	Hook Driving Bevel Pinion Shaft Belt Pulley Set Screw

No.	Plate	Name
242002	18931	Bobbin Case Stop
200126D	18931	Bobbin Case Stop Screw
263110	16015	Bobbin Case Tension Spring
201016C	16015	Bobbin Case Tension Spring Regulating Screw
200592C	16015	Bobbin Case Tension Spring Screw
224431	16015	Bobbin Case complete, Nos. 210846 and 224430
242003	18934	Cylinder End Cover with 242004 and two 200177D
200294X	18934	Cylinder End Cover Hinge Screw (2)
242004	18934	Cylinder End Cover Latch
200177D	18934	Cylinder End Cover Latch Screw
210681	18934	Face Plate
202135	18934	Face Plate Position Pin
200462X	18934	Face Plate Thumb Screw
210682	18934	Face Plate complete, Nos. 210681, 210684 and two 200137X
242005	18931	Feed Bar
242006	18931	Feed Bar 242005 with 200641C, 201522E and 202623
200641C	18931	Feed Bar Hinge Screw (driving)
201522E	18931	Feed Bar Hinge Screw Nut
202276	18931	Feed Bar Slide Block
202624	18931	Feed Bar Slide Block Crank with 200038C
242008	18931	Feed Bar Slide Block Crank 202624 with 200205F, 201518E and 202276
200038C	18931	Feed Bar Slide Block Crank Pinch Screw
200205F	18931	Feed Bar Slide Block Hinge Screw
201518E	18931	Feed Bar Slide Block Hinge Screw Nut
242018	18935	Feed Dog, for 210603
200106E	18935	Feed Dog Screw (2)
202297	18929	Feed Driving Connection with 200054E and 203101
242022	18931	Feed Driving Connection Crank with 200038C
200038C	18931	Feed Driving Connection Crank Pinch Screw
200545C	18929	Feed Driving Connection Hinge Screw
201518E	18929	Feed Driving Connection Hinge Screw Nut
203101	18929	Feed Driving Connection Oil Packing (wick)
200054E	18929	Feed Driving Connection Pinch Screw
202300	18929	Feed Driving Eccentric Regulating Bracket
203098	18929	Feed Driving Eccentric Regulating Bracket 202300 with 202635, two each 201014C and 201525E
201014C	18929	Feed Driving Eccentric Regulating Bracket Hinge Screw
201525E	18929	Feed Driving Eccentric Regulating Bracket Hinge Screw Nut
202301	18929	Feed Driving Eccentric Regulating Bracket Plunger
202595	18929	Feed Driving Eccentric Regulating Bracket Plunger Spring

No.	Plate	Name
202324	18931	Hook Driving Bevel Pinion Shaft Belt Pulley Spring Flange
210536	16015	Hook Gib
200596F	16015	Hook Gib Screw
263134	16015	Hook Oiling Felt
203101	16015	Hook Oil Wick
350084F	18931	Hook Position Screw
242011	18931	Hook Shaft (hollow)
210615	18931	Hook Shaft Bevel Gear (steel) 24 teeth, with two 200382C
200382C	18931	Hook Shaft Bevel Gear Set Screw
242020	18931	Hook Shaft Bushing with 242021
242012	18931	Hook Shaft Bushing 242020 with 200931F and 242011
242021	18931	Hook Shaft Bushing Oil Packing (wick)
201007C	18931	Hook Shaft Bushing Set Screw
244084	18931	Hook Shaft Bushing Set Screw Packing (fibre)
200931F	18931	Hook Shaft Position Screw
210541	16015	Hook Washer Needle Guard
200145C	16015	Hook Washer Needle Guard Screw
242009	18934	Knee Lifter Lifting Lever
200242X	18934	Knee Lifter Lifting Lever Hinge Screw
242010	18934	Knee Lifter Lifting Lever Rod with 202302
202302	18934	Knee Lifter Lifting Lever Rod Cotter Pin
203058	18934	Knee Lifter Lifting Lever Rod Coupling with 200530C
200530C	18934	Knee Lifter Lifting Lever Rod Coupling Set Screw
233361	18934	Knee Lifter Lifting Lever Spring
200273D	18934	Knee Lifter Lifting Lever Spring Screw
233390	18934	Knee Lifter Lifting Lever Washer
244090	18930	Machine Pulley (disc) (aluminum alloy casting) "V" belt groove (outside diam. of belt groove 2.9 in.) with 350540C and 350541C
350540C	18930	Machine Pulley Position Screw
350541C	18930	Machine Pulley Set Screw
224317	18932	Needle Bar with 200125ALX, 200175X and 249270
210543	18932	Needle Bar Connecting Link
202333	18932	Needle Bar Connecting Link Stud with 202299
202299	18932	Needle Bar Connecting Link Stud Oil Packing (wick)
200383C	18932	Needle Bar Connecting Link Stud Set Screw
200374AL	18932	Needle Bar Connecting Link Stud Set Screw
210544	18932	Needle Bar Connecting Stud with 202299
210585	18932	Needle Bar Connecting Stud 210544 with 210882
202299	18932	Needle Bar Connecting Stud Oil Packing (wick)
210882	18932	Needle Bar Connecting Stud Swivel with 200387C

No.	Plate	Name
210725	18932	Needle Bar Crank with 200335C, 200374AL, 200383C, 200428C and 202333
203172	18932	Needle Bar Crank Friction Washer
200428C	18932	Needle Bar Crank Position Screw
200335C	18932	Needle Bar Crank Set Screw
210883	18932	Needle Bar Crank complete, Nos. 202399, 202400, 210543, 210585, 210725 and 244059
210546	18932	Needle Bar Frame with 200070C
210542	18932	Needle Bar Frame 210546 with 224317
210547	18932	Needle Bar Frame Guide Stud
200334C	18932	Needle Bar Frame Guide Stud Set Screw
210548	18932	Needle Bar Frame Hinge Stud
200334C	18932	Needle Bar Frame Hinge Stud Set Screw
210768	16865	Needle Bar Frame Pitman
210769	16865	Needle Bar Frame Pitman 210768 with 202277, 210712, 224353, two each 200919C and 201522E
210557	16865	Needle Bar Frame Pitman Eccentric Stud
200070C	18932	Needle Bar Frame Pitman Eccentric Stud Set Screw
202277	16865	Needle Bar Frame Pitman Oil Packing (wick)
200387C	18932	Needle Bar Set Screw
249270	18932	Needle Bar Thread Guide
200175X	18932	Needle Bar Thread Guide Screw
200125ALX	18932	Needle Set Screw
210779	16865	Needle Vibrator Cam
210780	16865	Needle Vibrator Cam 210779 with 200378C and 200383C
200378C	16865	Needle Vibrator Cam Set Screw
200383C	16865	Needle Vibrator Cam Set Screw
210718	16865	Needle Vibrator Cam Shaft
210551	16865	Needle Vibrator Cam Shaft Bearing and Cover (Plate)
200566D	16865	Needle Vibrator Cam Shaft Bearing and Cover Screw (4)
210559	16865	Needle Vibrator Cam Shaft Collar with two 200378C
200378C	16865	Needle Vibrator Cam Shaft Collar Set Screw
210712	16865	Needle Vibrator Crank with 200378C and 200917C
224353	16865	Needle Vibrator Crank Link
200919C	16865	Needle Vibrator Crank Link Hinge Screw (lower or upper)
201522E	16865	Needle Vibrator Crank Link Hinge Screw (lower or upper) Nut
210723	16865	Needle Vibrator Crank Link Oil Tube
200917C	16865	Needle Vibrator Crank Position Screw
200378C	16865	Needle Vibrator Crank Set Screw
210711	16865	Needle Vibrator Crank Shaft
210699	16865	Needle Vibrator Gear (spiral) with two 200382C
200382C	16865	Needle Vibrator Gear Set Screw

No.	Plate	Name
203172	16865	Needle Vibrator Gear Thrust Washer
210700	18930	Needle Vibrator Pinion (spiral) with two 200382C
200382C	18930	Needle Vibrator Pinion Set Screw
210770	16865	Needle Vibrator Regulating Lever with 200378C and 200917C
210781	16865	Needle Vibrator Regulating Lever Position Bracket (indexed) with 200326C, 200378C, 200917C and 201531E
200917C	16865	Needle Vibrator Regulating Lever Position Bracket Position Screw
200378C	16865	Needle Vibrator Regulating Lever Position Bracket Set Screw
200326C	16865	Needle Vibrator Regulating Lever Position Bracket Stop Screw
201531E	16865	Needle Vibrator Regulating Lever Position Bracket Stop Screw Nut
200917C	16865	Needle Vibrator Regulating Lever Position Screw
200378C	16865	Needle Vibrator Regulating Lever Set Screw
210772	16865	Needle Vibrator Regulating Lever Slide
201556D	16865	Needle Vibrator Regulating Lever Slide Thumb Nut
244033	16846	Presser Bar (hollow)
202335	16846	Presser Bar 244033 with 200074F
207072	16846	Presser Bar Bushing
200352AL	16846	Presser Bar Bushing Set Screw
202554	16846	Presser Bar Lifter
200653C	16846	Presser Bar Lifter Hinge Screw
210789	16846	Presser Bar Lifting Releasing Lever Bracket
200260E	16846	Presser Bar Lifting Releasing Lever Bracket Guide Screw
206608	16846	Presser Bar Lifting Releasing Lever Bracket Spring
202337	16846	Presser Bar Position Guide
202338	16846	Presser Bar Position Guide Lever with 200086C
200086C	16846	Presser Bar Position Guide Lever Pinch Screw
200352AL	16846	Presser Bar Position Guide Set Screw
202378	16846	Presser Bar Spring (heavy)
202346	16846	Presser Bar Spring Stop Rod
200492X	16846	Presser Bar Thumb Screw (pressure regulating)
200475X	16846	Presser Bar Thumb Screw Thumb Set Screw
244084	16846	Presser Bar Thumb Screw Thumb Set Screw Packing (fibre)
230795	18935	Presser Foot Hinge Pin
242013	18935	Presser Foot Plate
200074F	16846	Presser Foot Screw
202923	18935	Presser Foot Shank
242014	18935	Presser Foot (hinged) complete, Nos. 202923, 230795 and 242013
210591	18932	Take-up (auxiliary) for Swivel

No.	Plate	Name
200132E	18932	Take-up (auxiliary) Screw
244059	18932	Take-up Lever
202399	18932	Take-up Lever Driving Stud with 202277
202277	18932	Take-up Lever Driving Stud Oil Packing (wick)
202400	18932	Take-up Lever Hinge Stud with 202423
202423	18932	Take-up Lever Hinge Stud Oil Packing (wick)
200383C	18932	Take-up Lever Hinge Stud Set Screw
202401	16846	Take-up Lever Oiling Felt
200132E	16846	Take-up Lever Oiling Felt Screw
244048	18933	Tension Disc (back)
244049	18933	Tension Disc (front)
202404	16846	Tension Release Plunger
244061	18933	Tension Release Washer
223438	18933	Tension Spring
263106	18933	Tension Stud Washer
200625F	18933	Tension Stud with 204925
200061ALX	18933	Tension Stud Set Screw
204925	18933	Tension Stud Washer
201572X	18933	Tension Thumb Nut
244062	18933	Tension complete, Nos. 200625F, 201572X, 202410, 223438, 244048, 244049, 244061 and 263106
202410	18933	Thread Controller Spring
241443	18933	Thread Controller Spring Stop
200132E	18933	Thread Controller Spring Stop Screw
210593	18933	Thread Guide (lower)
202412	18930	Thread Guide (on top of Arm)
210592	18933	Thread Guide (upper)
200582X	18933	Thread Guide Screw (2)
240335	18933	Thread Retainer
210683	18934	Thread Retainer Bracket with 200397X
200137X	18934	Thread Retainer Bracket Screw
200368X	18933	Thread Retainer Set Screw
210993	18934	Thread Retainer Sleeve
210992	18934	Thread Retainer Spring
210957	18934	Thread Retainer Stud
210958	18934	Thread Retainer Stud Collar
200397X	18934	Thread Retainer Stud Set Screw
210684	18934	Thread Retainer Bracket complete, Nos. 210683, 210957, 210958, 210992 and 210993
210603	18935	Throat Plate, 53 needle hole, for needle sizes 12 and 13, for 242018
200577AL	18935	Throat Plate Screw (2)

ACCESSORIES

No.	Plate	Name
200157X	18936	Attachment Screw
263099	16015	Robbin (2)
51078	16783	Machine Bolt (4)
6055	16783	Machine Bolt Washer (4)
41401	16783	Machine Rest Pin (wood)
135x13	-----	Needles, three each, sizes 18 and 20
120342	16783	Oiler (copper plated) with 120343
120343	16783	Oiler Spout (3-1/2 in. long)
230795	18936	Presser Foot Hinge Pin
242015	18936	Presser Foot Plate
202923	18936	Presser Foot Shank
242016	18936	Presser Foot (hinged) complete, Nos. 202923, 230795 and 242015
225498	16783	Screw Driver (7-1/4 in. long)
228476	16783	Screw Driver (Bobbin Case)
242017	18936	Work Plate
201011X	18936	Work Plate Screw (back)
200577AL	18936	Work Plate Screw (front) (2)
225554	16783	Wrench (steel)

BOBBIN WINDER

(SWINGING AUTOMATIC, RIGHT HAND)

FOR "V" BELT DRIVE

259428	17853	Brake (leather)
259429	17853	Brake Clamp
200113F	17853	Brake Clamp Screw
225453	17853	Frame with 202277 and 259660
225454	17853	Frame Hinge Pin
202277	17853	Frame Oil Packing (wick)
259660	17853	Frame Oil Well Washer
225455	17853	Frame Spring
225456	17853	Frame Spring Plunger
259461	17853	Pulley with 200380C
200380C	17853	Pulley Set Screw
225381	17853	Spindle
225444	17853	Stop Latch
200056E	17853	Stop Latch Screw
225458	17853	Stop Latch Thumb Lever
225459	17853	Stop Latch Thumb Lever Hinge Stud
225459	17853	Stop Latch Thumb Lever Joint Stud
202478	17853	Stop Latch Trip Lever
200299X	17853	Stop Latch Trip Lever Hinge Screw
225461	17853	Tension Bracket with 201499X
200082D	17853	Tension Bracket Screw
228026	17853	Tension Bracket Screw Washer
2102	17853	Tension Disc
13710	17853	Tension Spring

No.	Plate	Name
201499X	17853	Tension Stud
201572X	17853	Tension Stud Thumb Nut
225462	17853	Bobbin Winder Tension Bracket complete, Nos. 13710, 201572X, 225461 and two 2102
259662	17853	Bobbin Winder and Tension Bracket Base
259462	17853	Universal Bobbin Winder complete, Nos. 200056E, 200082D, 200113F, 200299X, 202478, 225381, 225444, 225453 to 225456, 225458, 225462, 228026, 259428, 259429, 259461, 259662, two each 225459 and wood screws 3/4 in., No. 12, R. H. B.

Note: Bobbin Winder 259462 is furnished with this Machine unless Bobbin Winder 259431 is specified on order

KNEE LIFTER

2763	18937	Rock Shaft
12242	18937	Rock Shaft Hanger (back) with two wood screws 1 in., No. 10
21327	18937	Rock Shaft Hanger (front) with two wood screws 1 in., No. 10
228562	18937	Rock Shaft Knee Arm
228563	18937	Rock Shaft Knee Arm complete, Nos. 1507R, 2766, 2767 and 228562
2766	18937	Rock Shaft Knee Arm Hub with 356C
356C	18937	Rock Shaft Knee Arm Hub Set Screw
1507R	18937	Rock Shaft Knee Arm Lock Nut
2767	18937	Rock Shaft Knee Plate with 356C
228255	18937	Rock Shaft Knee Plate Counter Balance Spring
356C	18937	Rock Shaft Knee Plate Set Screw
6337	18937	Rock Shaft Lifting Bracket with two 356C
39811	18937	Rock Shaft Lifting Bracket Extension with 39576
356C	18937	Rock Shaft Lifting Bracket Extension Set Screw
356C	18937	Rock Shaft Lifting Bracket Set Screw
227676	18937	Rock Shaft Lifting Chain, 18 in. long, with 202784
39576	18937	Rock Shaft Lifting Chain Hook (lower)
202784	18937	Rock Shaft Lifting Chain Hook (upper)
2770	18937	Rock Shaft Stop Dog with 140219C
140219C	18937	Rock Shaft Stop Dog Set Screw
228251	18937	Knee Lifter Rock Shaft complete, Nos. 2763, 6337, 12242, 21327, 39811, 227676, 228255, 228563, Form A1079 and two 2770

(Other Knee Lifter parts are listed with parts of Machine Head.)

NUMERICAL LIST OF PARTS

No.	Plate	Name
356C	18937	Knee Lifter Rock Shaft Knee Arm Hub Set Screw, for 2766
356C	18937	Knee Lifter Rock Shaft Knee Plate Set Screw, for 2767
356C	18937	Knee Lifter Rock Shaft Lifting Bracket Extension Set Screw, for 6337
356C	18937	Knee Lifter Rock Shaft Lifting Bracket Set Screw, for 6337
1507R	18937	Knee Lifter Rock Shaft Knee Arm Lock Nut, for 228563
2102	17853	Bobbin Winder Tension Disc, for 225462
2763	18937	Knee Lifter Rock Shaft, for 228251
2766	18937	Knee Lifter Rock Shaft Knee Arm Hub with 356C, for 228563
2767	18937	Knee Lifter Rock Shaft Knee Plate with 356C, for 228563
2770	18937	Knee Lifter Rock Shaft Stop Dog with 140219C, for 228251
6055	16783	Machine Bolt Washer
6337	18937	Knee Lifter Rock Shaft Lifting Bracket with two 356C, for 228251
12242	18937	Knee Lifter Rock Shaft Hanger (back) with two wood screws 1 in., No. 10, for 228251
13710	17853	Bobbin Winder Tension Spring, for 225462
21327	18937	Knee Lifter Rock Shaft Hanger (front) with two wood screws 1 in., No. 10, for 228251
39576	18937	Knee Lifter Rock Shaft Lifting Chain Hook (lower) for 39811
39811	18937	Knee Lifter Rock Shaft Lifting Bracket Extension with 39576, for 228251
41401	16783	Machine Rest Pin (wood)
51078	16783	Machine Bolt
120342	16783	Oiler (copper plated) with 120343
120343	16783	Oiler Spout (3-1/2 in. long) for 120342
140219C	18937	Knee Lifter Rock Shaft Stop Dog Set Screw, for 2770
200010E	18929	Arm Screw
200038C	18931	Feed Bar Slide Block Crank Pinch Screw, for 202624
200038C	18931	Feed Driving Connection Crank Pinch Screw, for 242022
200050C	18931	Feed Lifting Connection Crank Pinch Screw, for 210589
200054E	18929	Feed Driving Connection Pinch Screw, for 202297
200054E	18929	Feed Lifting Connection Pinch Screw, for 202306

NUMERICAL LIST OF PARTS

No.	Plate	Name
200056E	17853	Bobbin Winder Stop Latch Screw, for 259462
200061ALX	18933	Tension Stud Set Screw
200070C	18932	Needle Bar Frame Pitman Eccentric Stud Set Screw, for 210546
200074F	16846	Presser Foot Screw, for 202335
200079X	18930	Arm Cap Spool Holder Wire Hinge Screw, for 203090
200082D	17853	Bobbin Winder Tension Bracket Screw, for 259462
200086C	16846	Presser Bar Position Guide Lever Pinch Screw, for 202338
200106E	18935	Feed Dog Screw
200113F	17853	Bobbin Winder Brake Clamp Screw, for 259462
200125ALX	18932	Needle Set Screw, for 224317
200126D	18931	Bobbin Case Stop Screw
200132E	18932	Take-up (auxiliary) Screw
200132E	16846	Take-up Lever Oiling Felt Screw
200132E	18933	Thread Controller Spring Stop Screw
200137X	18934	Thread Retainer Bracket Screw, for 210682
200145C	16015	Hook Washer Needle Guard Screw, for 224433
200157X	18936	Attachment Screw
200175X	18932	Needle Bar Thread Guide Screw, for 224317
200177D	18934	Cylinder End Cover Latch Screw, for 242003
200205F	18931	Feed Bar Slide Block Hinge Screw, for 242008
200242X	18934	Knee Lifter Lifting Lever Hinge Screw
200260E	16846	Presser Bar Lifting Releasing Lever Bracket Guide Screw
200262X	18934	Bed Clamp Hinge Screw
200273D	18934	Knee Lifter Lifting Lever Spring Screw
200278X	18930	Arm Cap Screw
200294X	18934	Cylinder End Cover Hinge Screw
200299X	17853	Bobbin Winder Stop Latch Trip Lever Hinge Screw, for 259462
200326C	16865	Needle Vibrator Regulating Lever Position Bracket Stop Screw, for 210781
200327C	18929	Arm Shaft Connection Belt Pulley Set Screw, for 202635
200334C	18932	Needle Bar Frame Guide Stud Set Screw
200334C	18932	Needle Bar Frame Hinge Stud Set Screw
200335C	18932	Needle Bar Crank Set Screw, for 210725
200338C	18930	Arm Shaft Bushing (back) Set Screw
200341C	18930	Arm Shaft Bushing (front) Set Screw
200352AL	16846	Presser Bar Bushing Set Screw
200352AL	16846	Presser Bar Position Guide Set Screw
200368X	18933	Thread Retainer Set Screw
200374AL	18932	Needle Bar Connecting Link Stud Set Screw, for 210725
200378C	18931	Feed Lifting Connection Crank Set Screw, for 210589
200378C	18931	Hook Driving Bevel Pinion Set Screw, for 210614

NUMERICAL LIST OF PARTS

No.	Plate	Name
200378C	18931	Hook Driving Bevel Pinion Shaft Belt Pulley Set Screw, for 202661
200378C	16865	Needle Vibrator Cam Set Screw, for 210780
200378C	16865	Needle Vibrator Cam Shaft Collar Set Screw, for 210559
200378C	16865	Needle Vibrator Crank Set Screw, for 210712
200378C	16865	Needle Vibrator Regulating Lever Position Bracket Set Screw, for 210781
200378C	16865	Needle Vibrator Regulating Lever Set Screw, for 210770
200380C	17853	Bobbin Winder Pulley Set Screw, for 259461
200382C	18930	Feed Lifting Connection Eccentric Set Screw, for 202307
200382C	18931	Hook Shaft Bevel Gear Set Screw, for 210615
200382C	16865	Needle Vibrator Gear Set Screw, for 210699
200382C	18930	Needle Vibrator Pinion Set Screw, for 210700
200383C	18929	Feed Driving Eccentric Regulating Screw Check Screw
200383C	18931	Feed Driving Rock Shaft Stop Collar Set Screw, for 202625
200383C	18931	Feed Lifting Rock Shaft Stop Collar Set Screw, for 202625
200383C	18932	Needle Bar Connecting Link Stud Set Screw, for 210725
200383C	16865	Needle Vibrator Cam Set Screw, for 210780
200383C	18932	Take-up Lever Hinge Stud Set Screw
200387C	18932	Needle Bar Set Screw, for 210882
200397X	18934	Thread Retainer Stud Set Screw, for 210683
200428C	18932	Needle Bar Crank Position Screw, for 210725
200429F	18929	Feed Driving Eccentric Regulating Screw
200437C	18930	Feed Lifting Connection Eccentric Position Screw, for 202307
200462X	18934	Face Plate Thumb Screw
200475X	16846	Presser Bar Thumb Screw Thumb Set Screw
200492X	16846	Presser Bar Thumb Screw (pressure regulating)
200502X	18930	Arm Shaft Bushing (front) Oil Packing Thumb Screw
200530C	18934	Knee Lifter Lifting Lever Rod Coupling Set Screw, for 203058
200545C	18929	Feed Driving Connection Hinge Screw
200545C	18929	Feed Lifting Connection Hinge Screw
200566D	16865	Needle Vibrator Cam Shaft Bearing and Cover Screw
200577AL	18935	Bed Plate (back) Screw
200577AL	18935	Throat Plate Screw
200577AL	18936	Work Plate Screw (front)

No.	Plate	Name
200582X	18933	Thread Guide Screw
200585X	18930	Arm Cap Spool Holder Base Screw, for 203088
200592C	16015	Bobbin Case Tension Spring Screw, for 224429
200596F	16015	Hook Gib Screw, for 224433
200602C	18929	Arm Shaft Connection Belt Pulley Position Screw, for 202635
200607C	18929	Feed Driving Eccentric Regulating Bracket Plunger Spring Stop Screw
200625F	18933	Tension Stud with 204925, for 244062
200641C	18931	Feed Bar Hinge Screw (driving) for 242006
200653C	16846	Presser Bar Lifter Hinge Screw
200728X	18934	Bed Clamp Thumb Screw
200917C	16865	Needle Vibrator Crank Position Screw, for 210712
200917C	16865	Needle Vibrator Regulating Lever Position Bracket Position Screw, for 210781
200917C	16865	Needle Vibrator Regulating Lever Position Screw, for 210770
200919C	16865	Needle Vibrator Crank Link Hinge Screw (lower or upper) for 210769
200931F	18931	Hook Shaft Position Screw, for 242012
200964C	16015	Bobbin Case Latch Stop Screw, for 224430
201007C	18931	Hook Shaft Bushing Set Screw
201011X	18936	Work Plate Screw (back)
201014C	18929	Feed Driving Eccentric Regulating Bracket Hinge Screw
201014C	18929	Feed Driving Eccentric Regulating Bracket Stop Screw, for 203098
201016C	16015	Bobbin Case Tension Spring Regulating Screw, for 224429
201110X	18934	Bed Hinge Screw
201499X	17853	Bobbin Winder Tension Stud, for 225461
201518E	18931	Feed Bar Slide Block Hinge Screw Nut, for 242008
201518E	18929	Feed Driving Connection Hinge Screw Nut
201518E	18929	Feed Lifting Connection Hinge Screw Nut
201522E	18931	Feed Bar Hinge Screw Nut, for 242006
201522E	16865	Needle Vibrator Crank Link Hinge Screw (lower or upper) Nut, for 210769
201525E	18929	Feed Driving Eccentric Regulating Bracket Hinge Screw Nut, for 203098
201525E	18929	Feed Driving Eccentric Regulating Bracket Stop Screw Nut, for 203098
201531E	16865	Needle Vibrator Regulating Lever Position Bracket Stop Screw Nut, for 210781
201556D	16865	Needle Vibrator Regulating Lever Slide Thumb Nut
201572X	17853	Bobbin Winder Tension Stud Thumb Nut, for 225462
201572X	18933	Tension Thumb Nut, for 244062

No.	Plate	Name
202005	18929	Arm Screw Washer
202135	18934	Face Plate Position Pin, for 210765
202244	18930	Arm Shaft Bushing (back) Oil Packing (wick) for 240802
202244	18930	Arm Shaft Bushing (front) Oil Packing (wick) for 207080
202248	18930	Arm Cap Screw Washer
202249	18930	Arm Shaft with 224392
202253	18929	Arm Shaft Connection Belt Pulley Spring Flange, for 202635
202276	18931	Feed Bar Slide Block, for 242008
202277	17853	Bobbin Winder Frame Oil Packing(wick) for 225453
202277	16865	Needle Bar Frame Pitman Oil Packing (wick) for 210769
202277	18932	Take-up Lever Driving Stud Oil Packing (wick) for 202399
202297	18929	Feed Driving Connection with 200054E and 203101
202299	18932	Needle Bar Connecting Link Stud Oil Packing (wick) for 202333
202299	18932	Needle Bar Connecting Stud Oil Packing (wick) for 210544
202300	18929	Feed Driving Eccentric Regulating Bracket, for 203098
202301	18929	Feed Driving Eccentric Regulating Bracket Plunger
202302	18934	Knee Lifter Lifting Lever Rod Cotter Pin, for 242010
202306	18929	Feed Lifting Connection with 200054E and 203101
202307	18930	Feed Lifting Connection Eccentric with 200382C and 200437C
202310	18930	Feed Regulating Spindle with 202311, 202443 and 202619
*202311	-----	Feed Regulating Spindle Head, for 202310
202324	18931	Hook Driving Bevel Pinion Shaft Belt Pulley Spring Flange, for 202661
202333	18932	Needle Bar Connecting Link Stud with 202299, for 210725
202335	16846	Presser Bar 244033 with 200074F
202337	16846	Presser Bar Position Guide
202338	16846	Presser Bar Position Guide Lever with 200086C
202346	16846	Presser Bar Spring Stop Rod
202378	16846	Presser Bar Spring (heavy)
202399	18932	Take-up Lever Driving Stud with 202277, for 210883
202400	18932	Take-up Lever Hinge Stud with 202423, for 210883
202401	16846	Take-up Lever Oiling Felt
202404	16846	Tension Release Plunger
202410	18933	Thread Controller Spring, for 244062
202412	18930	Thread Guide (on top of Arm)
202423	18932	Take-up Lever Hinge Stud Oil Packing (wick) for 202400
202443	18930	Feed Regulating Spindle Head Pin, for 202310

NUMERICAL LIST OF PARTS

No.	Plate	Name
202478	17853	Bobbin Winder Stop Latch Trip Lever, for 259462
202554	16846	Presser Bar Lifter
202595	18929	Feed Driving Eccentric Regulating Bracket Plunger Spring
202618	18934	Bed Hinge
202619	18930	Feed Regulating Spindle Head Position Pin, for 202310
202622	18934	Bed Clamp Packing Washer
202623	18931	Feed Driving Rock Shaft, for 242006
202624	18931	Feed Bar Slide Block Crank with 200038C, for 242008
202625	18931	Feed Driving Rock Shaft Stop Collar with two 200383C
202625	18931	Feed Lifting Rock Shaft Stop Collar with two 200383C
202635	18929	Arm Shaft Connection Belt Pulley with 200327C, 200602C and two 202253, for 203098
202661	18931	Hook Driving Bevel Pinion Shaft Belt Pulley with 202324 and two 200378C
202784	18937	Knee Lifter Rock Shaft Lifting Chain Hook (upper) for 227676
202923	18935	Presser Foot Shank, for 242014 and 242016
203058	18934	Knee Lifter Lifting Lever Rod Coupling with 200530C
203087	18930	Arm Cap, for 203088
203088	18930	Arm Cap Spool Holder complete, Nos. 203087, 203090 and two 200585X
203089	18930	Arm Cap Spool Holder Base, for 203090
203090	18930	Arm Cap Spool Holder Base 203089 with 200079X and 204296, for 203088
203098	18929	Feed Driving Eccentric Regulating Bracket 202300 with 202635, two each 201014C and 201525E
203101	18929	Feed Driving Connection Oil Packing (wick) for 202297
203101	18929	Feed Lifting Connection Oil Packing (wick) for 202306
203101	16015	Hook Oil Wick, for 224432
203172	18932	Needle Bar Crank Friction Washer
203172	16865	Needle Vibrator Gear Thrust Washer
203184	18934	Bed Clamp
203185	18934	Bed Clamp Thumb Screw Washer
204235	18929	Arm Position Pin
204296	18930	Arm Cap Spool Holder Wire, for 203090
204925	18933	Tension Stud Washer, for 200625F
206608	16846	Presser Bar Lifting Releasing Lever Bracket Spring
207072	16846	Presser Bar Bushing
207080	18930	Arm Shaft Bushing (front) with 202244
210505	18935	Bed Plate (back)
210531	18931	Feed Lifting Rock Shaft (hollow) and Hook Driving Shaft Bearing
210535	18931	Hook Driving Bevel Pinion Shaft
210536	16015	Hook Gib, for 224433
210541	16015	Hook Washer Needle Guard, for 224433

NUMERICAL LIST OF PARTS

No.	Plate	Name
210542	18932	Needle Bar Frame 210546 with 224317
210543	18932	Needle Bar Connecting Link, for 210883
210544	18932	Needle Bar Connecting Stud with 202299, for 210585
210546	18932	Needle Bar Frame with 200070C, for 210542
210547	18932	Needle Bar Frame Guide Stud
210548	18932	Needle Bar Frame Hinge Stud
210551	16865	Needle Vibrator Cam Shaft Bearing and Cover (Plate)
210557	16865	Needle Bar Frame Pitman Eccentric Stud
210559	16865	Needle Vibrator Cam Shaft Collar with two 200378C
210585	18932	Needle Bar Connecting Stud 210544 with 210882, for 210883
210589	18931	Feed Lifting Connection Crank 210645 with 200050C and 200378C
210591	18932	Take-up (auxiliary) for Swivel
210592	18933	Thread Guide (upper)
210593	18933	Thread Guide (lower)
210603	18935	Throat Plate, 53 needle hole, for needle sizes 12 and 13, for 242018
210614	18931	Hook Driving Bevel Pinion (steel) 24 teeth, with two 200378C
210615	18931	Hook Shaft Bevel Gear (steel) 24 teeth, with two 200382C
*210645	----	Feed Lifting Connection Crank, for 210589
210681	18934	Face Plate, for 210682
210682	18934	Face Plate complete, Nos. 210681, 210684 and two 200137X
210683	18934	Thread Retainer Bracket with 200397X, for 210684
210684	18934	Thread Retainer Bracket complete, Nos. 210683, 210957, 210958, 210992 and 210993, for 210682
210699	16865	Needle Vibrator Gear (spiral) with two 200382C
210700	18930	Needle Vibrator Pinion (spiral) with two 200382C
210711	16865	Needle Vibrator Crank Shaft
210712	16865	Needle Vibrator Crank with 200378C and 200917C, for 210769
210718	16865	Needle Vibrator Cam Shaft
210723	16865	Needle Vibrator Crank Link Oil Tube
210725	18932	Needle Bar Crank with 200335C, 200374AL, 200383C, 200428C and 202333, for 210883
210734	16015	Bobbin Case Latch Lever, for 210914
210735	16015	Bobbin Case Latch Fulcrum Pin, for 210914
210736	16015	Bobbin Case Latch Spring, for 224430
*210765	----	Arm with 202135
210768	16865	Needle Bar Frame Pitman, for 210769

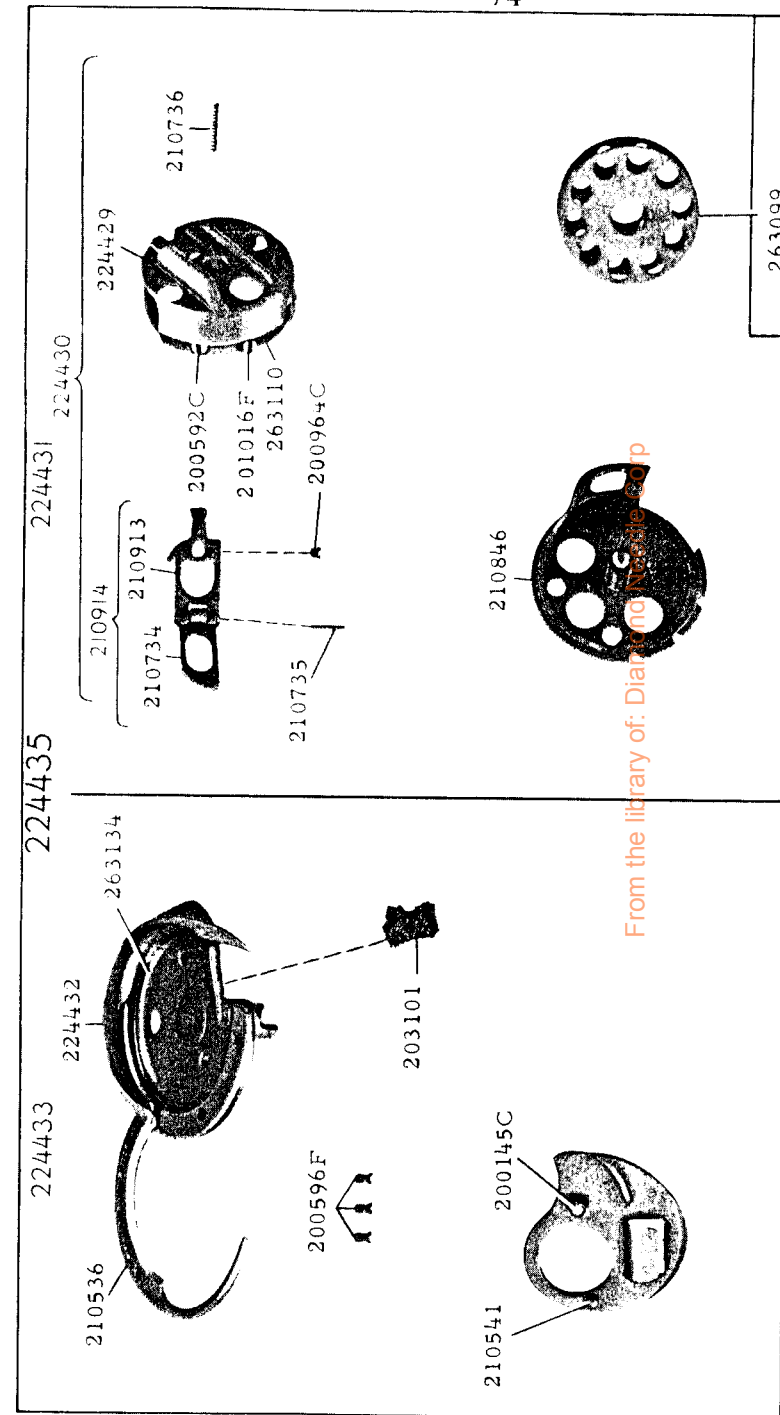
No.	Plate	Name
210769	16865	Needle Bar Frame Pitman 210768 with 202277, 210712, 224353, two each 200919C and 201522E
210770	16865	Needle Vibrator Regulating Lever with 200378C and 200917C
210772	16865	Needle Vibrator Regulating Lever Slide
210779	16865	Needle Vibrator Cam, for 210780
210780	16865	Needle Vibrator Cam 210779 with 200378C and 200383C
210781	16865	Needle Vibrator Regulating Lever Position Bracket (indexed) with 200326C, 200378C, 200917C and 201531E
210789	16846	Presser Bar Lifting Releasing Lever Bracket
210846	16015	Bobbin Case Base, for 224431
210882	18932	Needle Bar Connecting Stud Swivel with 200387C, for 210585
210883	18932	Needle Bar Crank complete, Nos. 202399, 202400, 210543, 210585, 210725 and 244059
210913	16015	Bobbin Case Latch, for 210914
210914	16015	Bobbin Case Latch 210913 with 210734 and 210735, for 224430
210957	18934	Thread Retainer Stud, for 210684
210958	18934	Thread Retainer Stud Collar, for 210684
210992	18934	Thread Retainer Spring, for 210684
210993	18934	Thread Retainer Sleeve, for 210684
213353	18934	Bed Base (6 in. high)
213890	18934	Bed Base (4 in. high)
223438	18933	Tension Spring, for 244062
224317	18932	Needle Bar with 200125ALX, 200175X and 249270, for 210542
224353	16865	Needle Vibrator Crank Link, for 210769
224392	18930	Arm Shaft Oil Packing (wick) for 202249
224400	18929	Arm Shaft Connection Belt (reinforced neoprene)
224429	16015	Bobbin Case Cap with 200592C, 201016C and 263110, for 224430
224430	16015	Bobbin Case Cap complete, Nos. 200964C, 210736, 210914 and 224429, for 224431
224431	16015	Bobbin Case complete, Nos. 210846 and 224430, for 224435
224432	16015	Hook (sewing) with 203101 and 263134, for 224433
224433	16015	Hook 224432 with 200145C, 210536, 210541 and three 200596F, for 224435
224435	16015	Hook and Bobbin Case complete, Nos. 224431 and 224433
225381	17853	Bobbin Winder Spindle, for 259462
225444	17853	Bobbin Winder Stop Latch, for 259462
225453	17853	Nos. 225453 to 225456, for 259462
225453	17853	Bobbin Winder Frame with 202277 and 259660
225454	17853	Bobbin Winder Frame Hinge Pin
225455	17853	Bobbin Winder Frame Spring
225456	17853	Bobbin Winder Frame Spring Plunger
225458	17853	Bobbin Winder Stop Latch Thumb Lever, for 259462

No.	Plate	Name
225459	17853	Bobbin Winder Stop Latch Thumb Lever Hinge Stud, for 259462
225459	17853	Bobbin Winder Stop Latch Thumb Lever Joint Stud, for 259462
225461	17853	Bobbin Winder Tension Bracket with 201499X, for 225462
225462	17853	Bobbin Winder Tension Bracket complete, Nos. 13710, 201572X, 225461 and two 2102, for 259462
225498	16783	Screw Driver (7-1/4 in. long)
225554	16783	Wrench (steel)
227676	18937	Knee Lifter Rock Shaft Lifting Chain, 18 in. long, with 202784, for 228251
228026	17853	Bobbin Winder Tension Bracket Screw Washer, for 259462
228251	18937	Knee Lifter Rock Shaft complete, Nos. 2763, 6337, 12242, 21327, 39811, 227676, 228255, 228563, Form A 1079 and two 2770
228255	18937	Knee Lifter Rock Shaft Knee Plate Counter Balance Spring, for 228251
228476	16783	Screw Driver (Bobbin Case)
228562	18937	Knee Lifter Rock Shaft Knee Arm, for 228563
228563	18937	Knee Lifter Rock Shaft Knee Arm complete, Nos. 1507R, 2766, 2767 and 228562, for 228251
230795	18935	Presser Foot Hinge Pin, for 242014 and 242016
233361	18934	Knee Lifter Lifting Lever Spring
233390	18934	Knee Lifter Lifting Lever Washer
240335	18933	Thread Retainer
240802	18930	Arm Shaft Bushing (back) with 202244
241443	18933	Thread Controller Spring Stop
*242001	----	Bed (cylinder)
242002	18931	Bobbin Case Stop
242003	18934	Cylinder End Cover with 242004 and two 200177D
242004	18934	Cylinder End Cover Latch, for 242003
242005	18931	Feed Bar, for 242006
242006	18931	Feed Bar 242005 with 200641C, 201522E and 202623
242008	18931	Feed Bar Slide Block Crank 202624 with 200205F, 201518E and 202276
242009	18934	Knee Lifter Lifting Lever
242010	18934	Knee Lifter Lifting Lever Rod with 202302
242011	18931	Hook Shaft (hollow) for 242012
242012	18931	Hook Shaft Bushing 242020 with 200931F and 242011
242013	18935	Presser Foot Plate, for 242014
242014	18935	Presser Foot (hinged) complete, Nos. 202923, 230795 and 242013
242015	18936	Presser Foot Plate, for 242016
242016	18936	Presser Foot (hinged) complete, Nos. 202923, 230795 and 242015
242017	18936	Work Plate
242018	18935	Feed Dog, for 210603

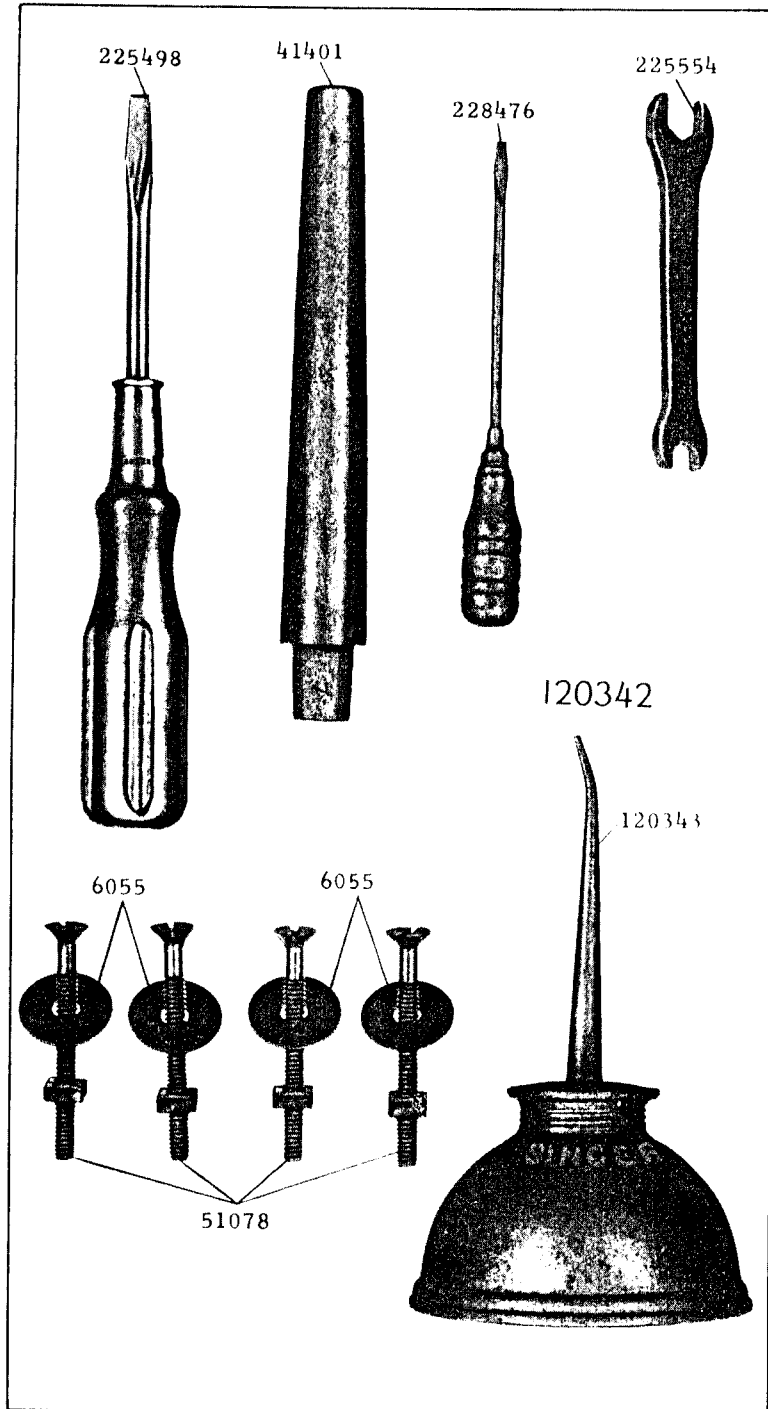
From the library of: Diamond Needle Co.

No.	Plate	Name
242020	18931	Hook Shaft Bushing with 242021, for 242012
242021	18931	Hook Shaft Bushing Oil Packing (wick) for 242020
242022	18931	Feed Driving Connection Crank with 200038C
244033	16846	Presser Bar (hollow) for 202335
244048	18933	Tension Disc (back) for 244062
244049	18933	Tension Disc (front) for 244062
244059	18932	Take-up Lever, for 210883
244061	18933	Tension Release Washer, for 244062
244062	18933	Tension complete, Nos. 200625F, 201572X, 202410, 223438, 244048, 244049, 244061 and 263106
244084	18931	Hook Shaft Bushing Set Screw Packing (fibre)
244084	16846	Presser Bar Thumb Screw Thumb Set Screw Packing (fibre)
244090	18930	Machine Pulley (disc) (aluminum alloy casting) "V" belt groove (outside diam. of belt groove 2.9 in.) with 350540C and 350541C
249270	18932	Needle Bar Thread Guide, for 224317
259428	17853	Bobbin Winder Brake (leather) for 259462
259429	17853	Bobbin Winder Brake Clamp, for 259462
259461	17853	Bobbin Winder Pulley with 200380C, for 259462
259462	17853	Universal Bobbin Winder complete, Nos. 200056E, 200082D, 200113F, 200299X, 202478, 225381, 225444, 225453 to 225456, 225458, 225462, 228026, 259428, 259429, 259461, 259662 two each 225459 and wood screws 3/4 in., No. 12, R. H. B.
259660	17853	Bobbin Winder Frame Oil Well Washer, for 225453
259662	17853	Bobbin Winder and Tension Bracket Base, for 259462
263099	16015	Bobbin
263106	18933	Tension Stud Washer, for 244062
263110	16015	Bobbin Case Tension Spring, for 224429
263134	16015	Hook Oiling Felt, for 224432
350084F	18931	Hook Position Screw
350540C	18930	Machine Pulley Position Screw, for 244090
350541C	18930	Machine Pulley Set Screw, for 244090

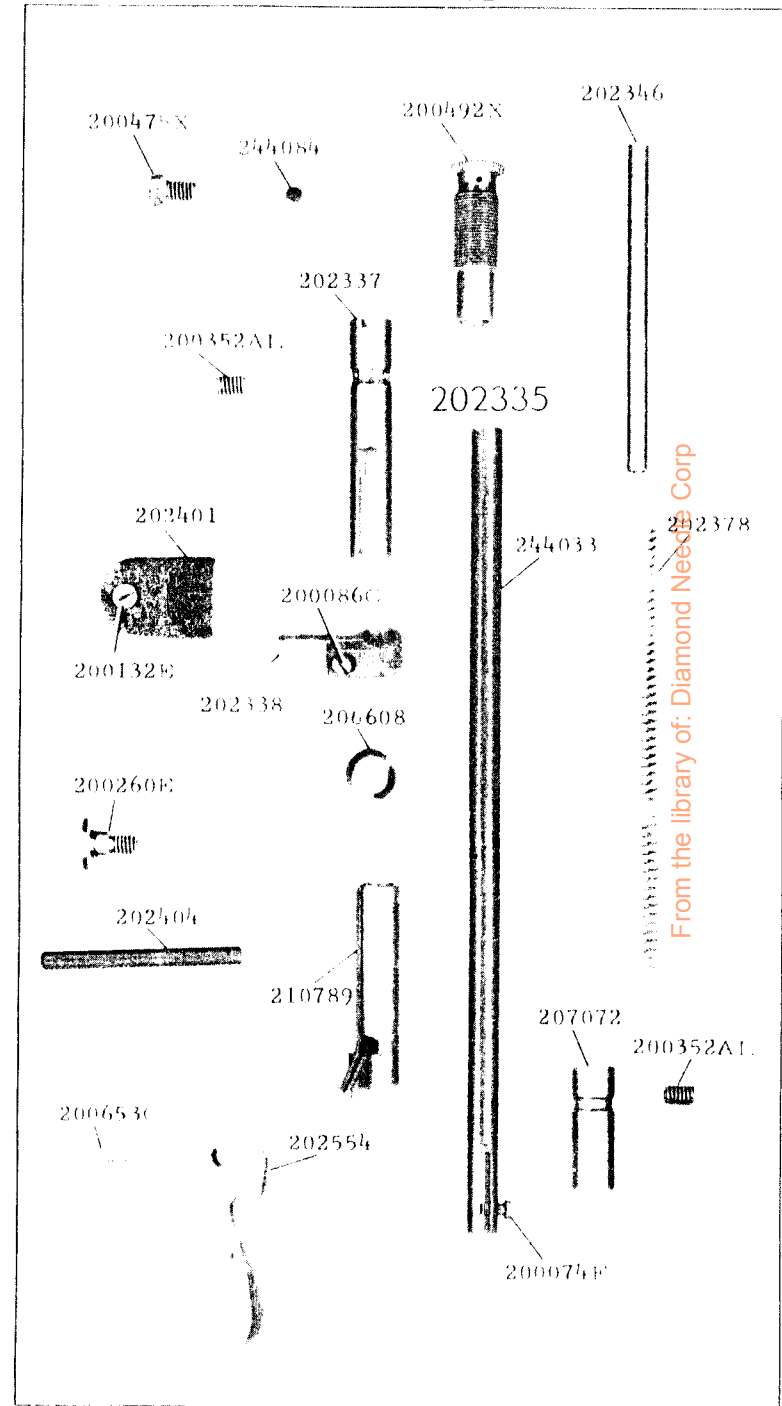
16015 - 3/4



16783 - 1/2

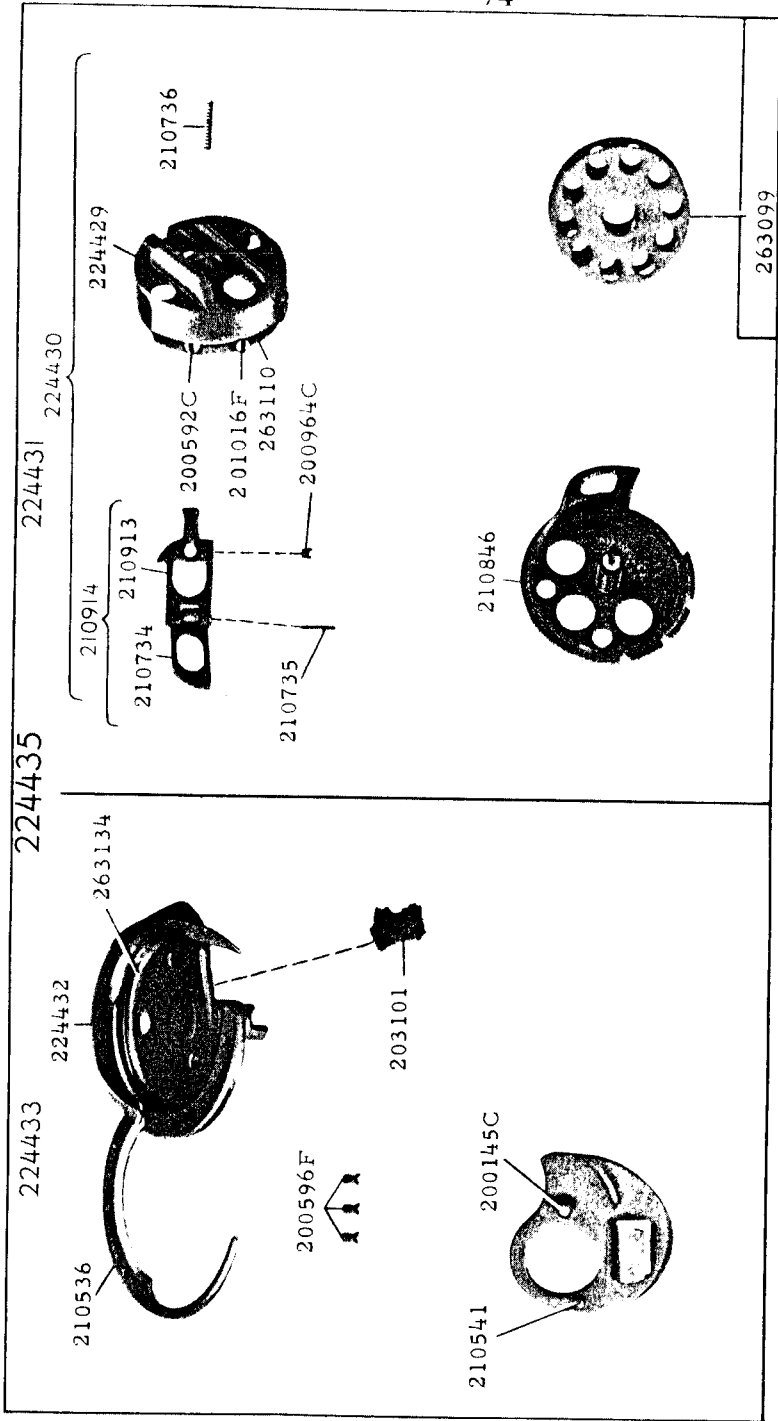


16846 - 1/2

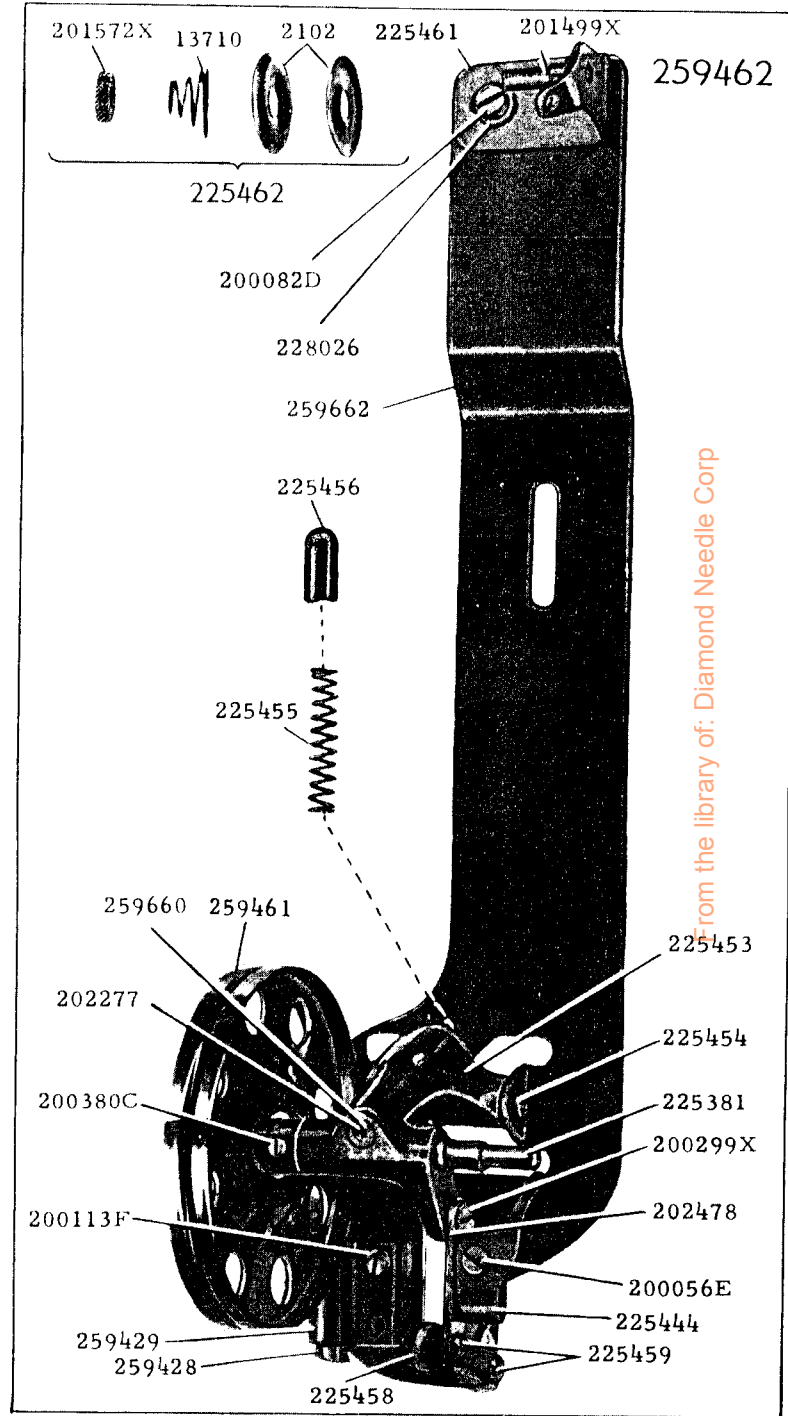


From the library of: Diamond Needs Corp

16015 - 3/4

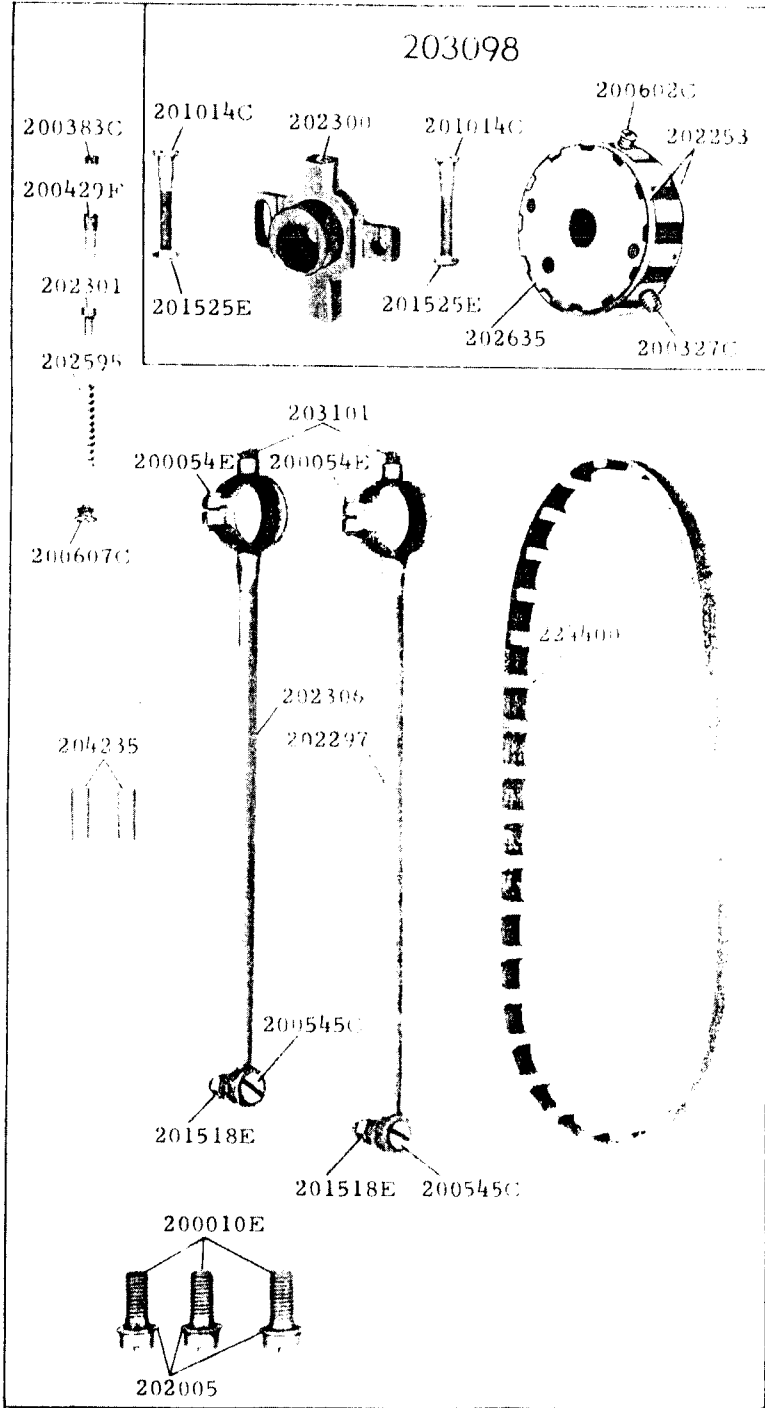


17853 - 1/2

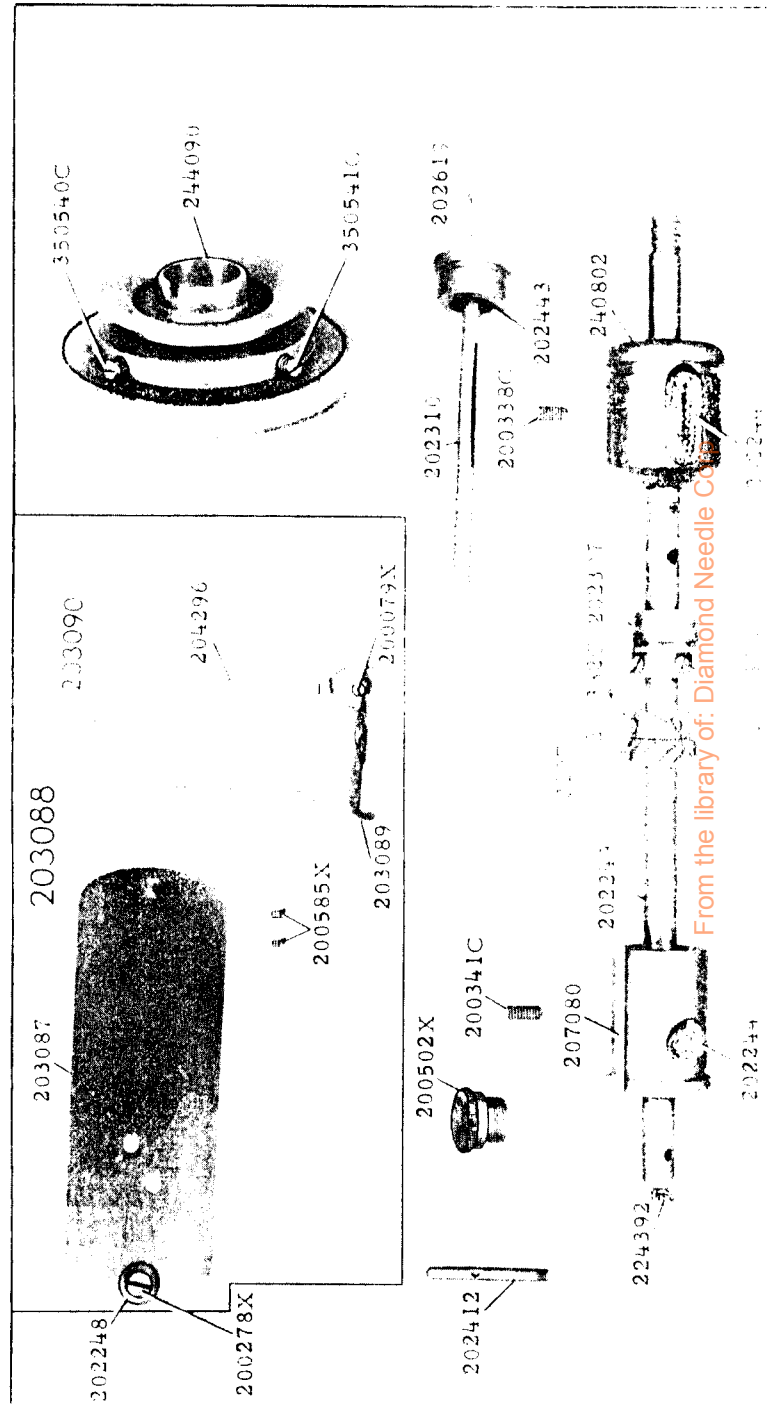


From the library of: Diamond Needle Corp

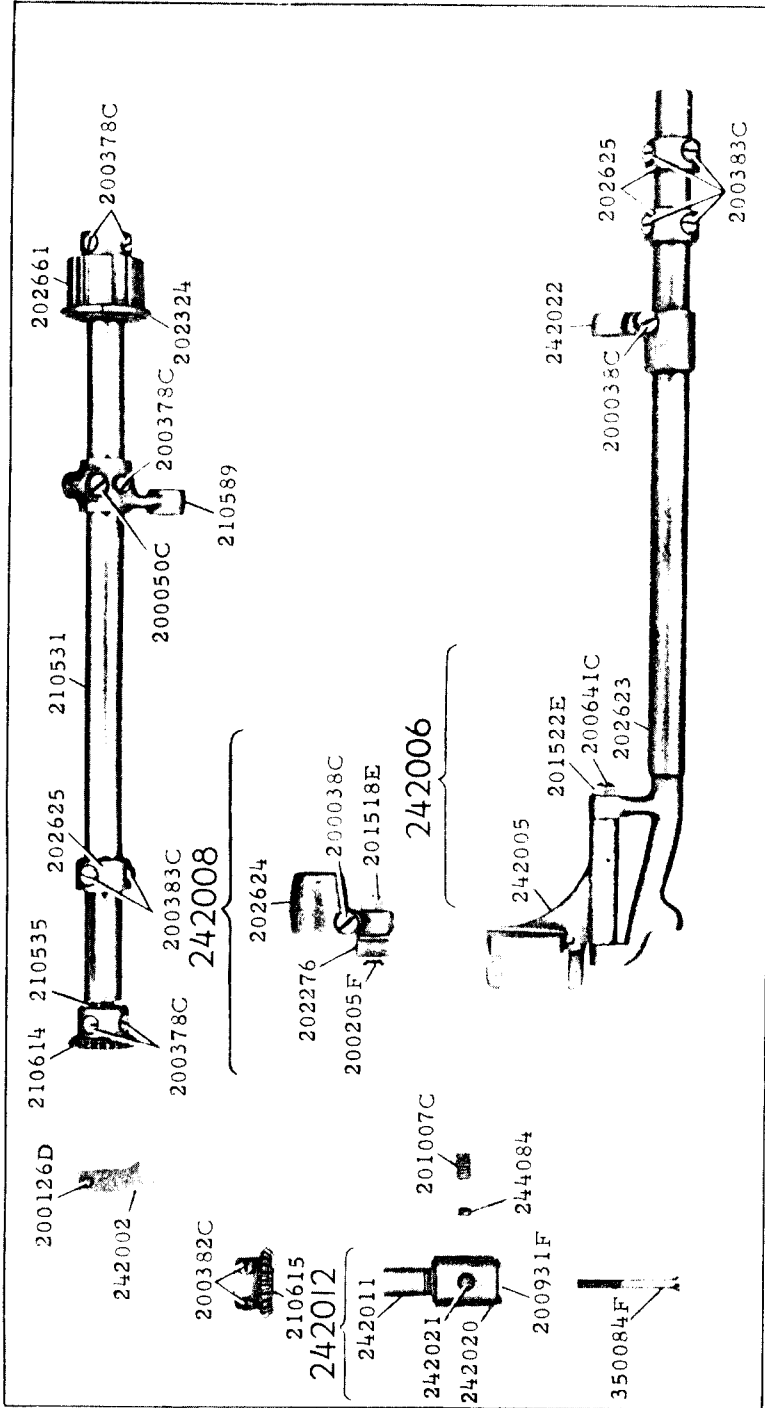
18929 - 3/8



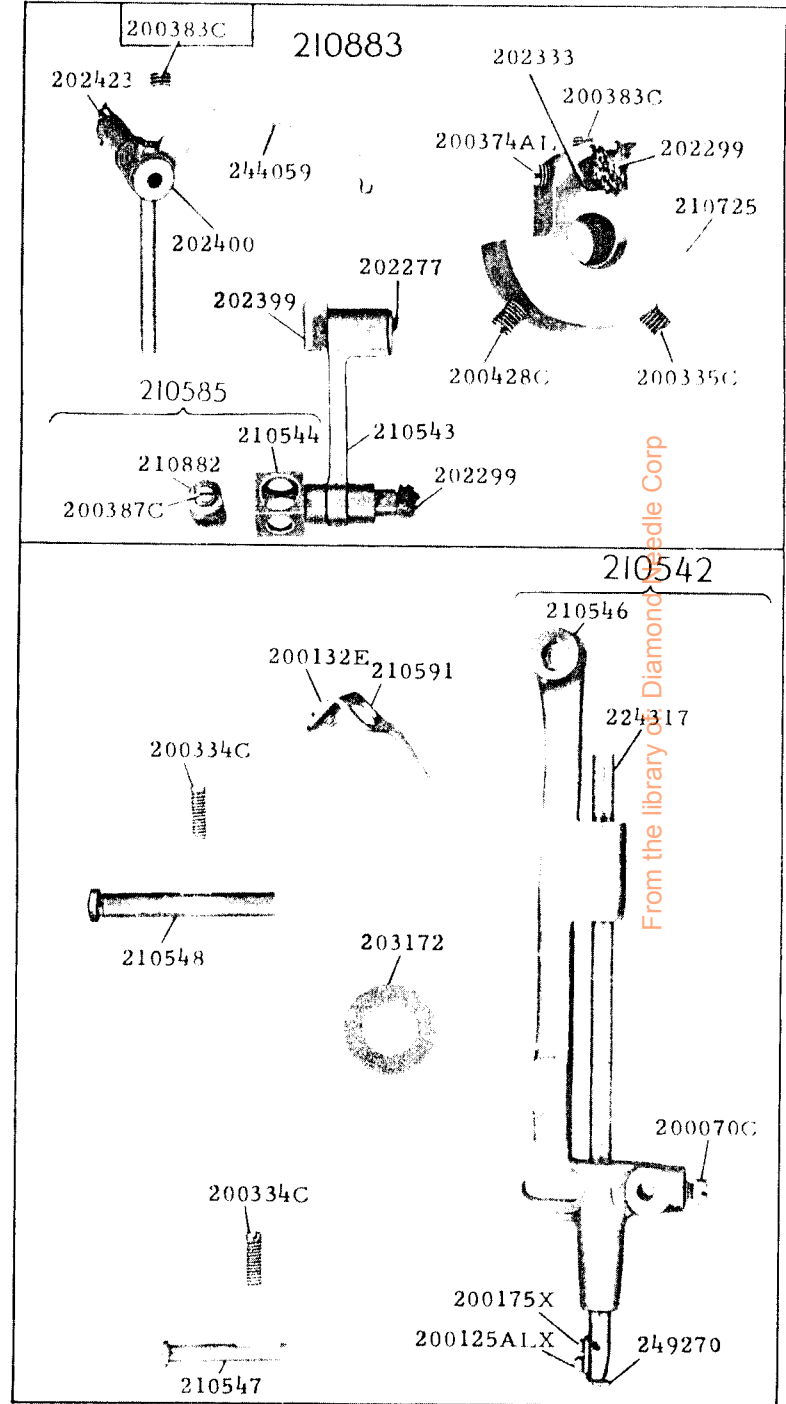
18930 - 3/8



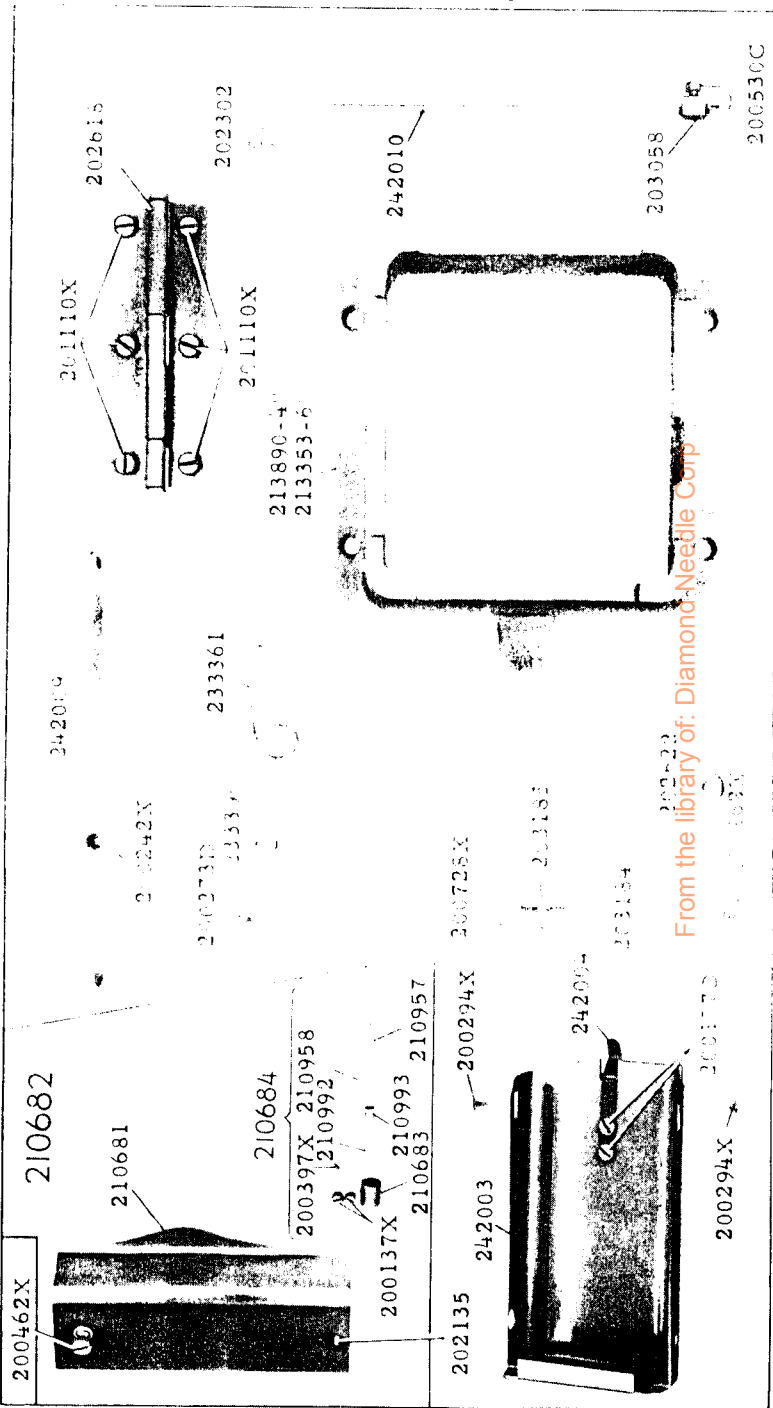
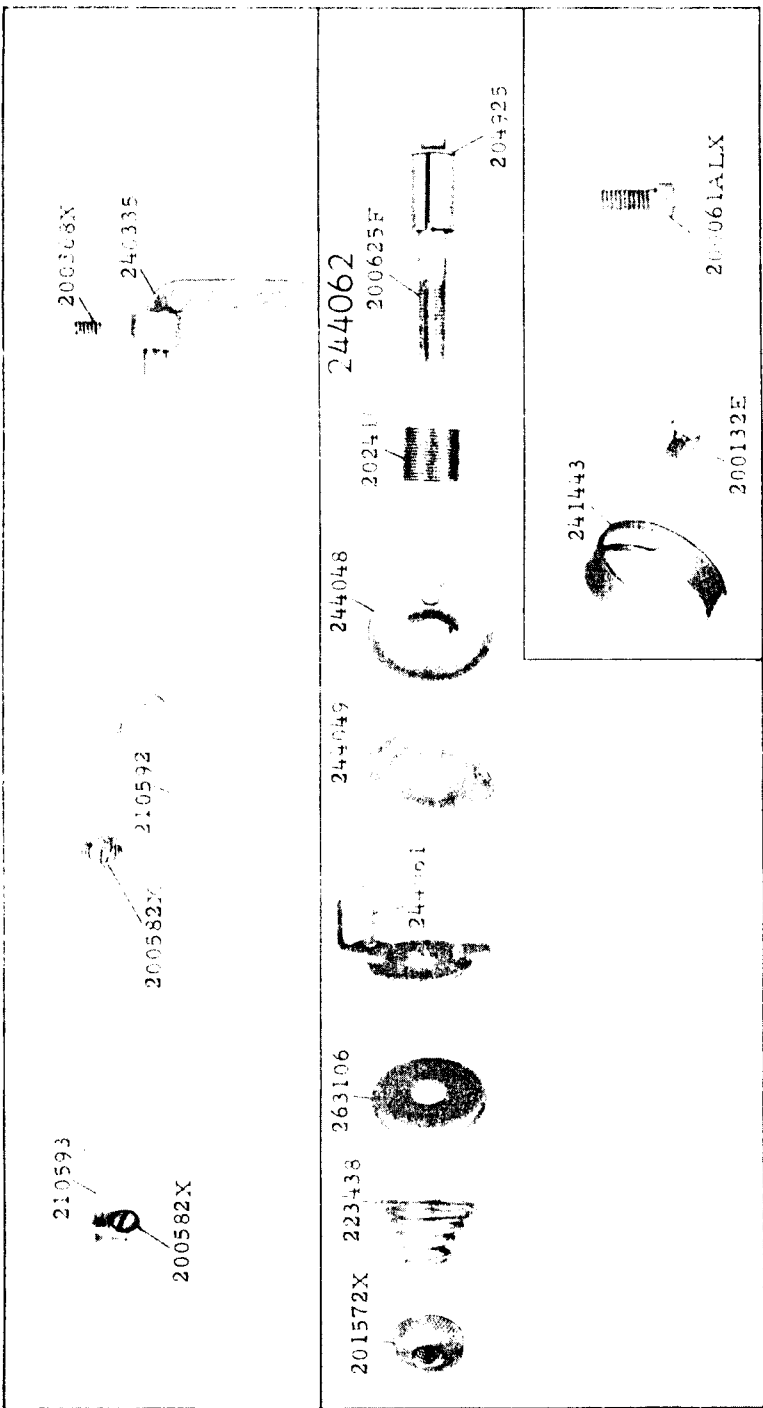
18931 - 3/8



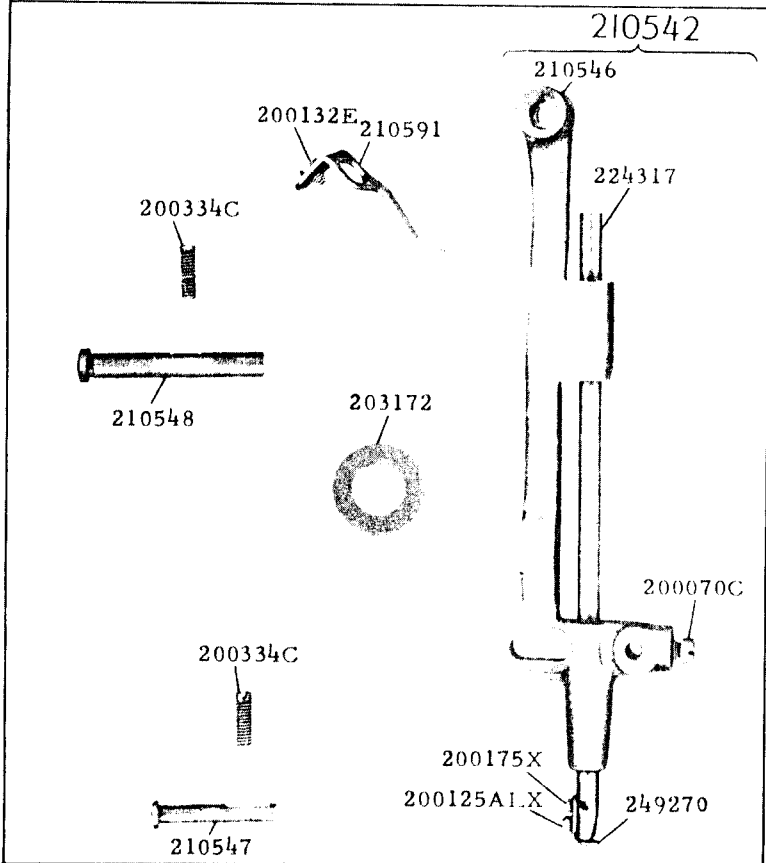
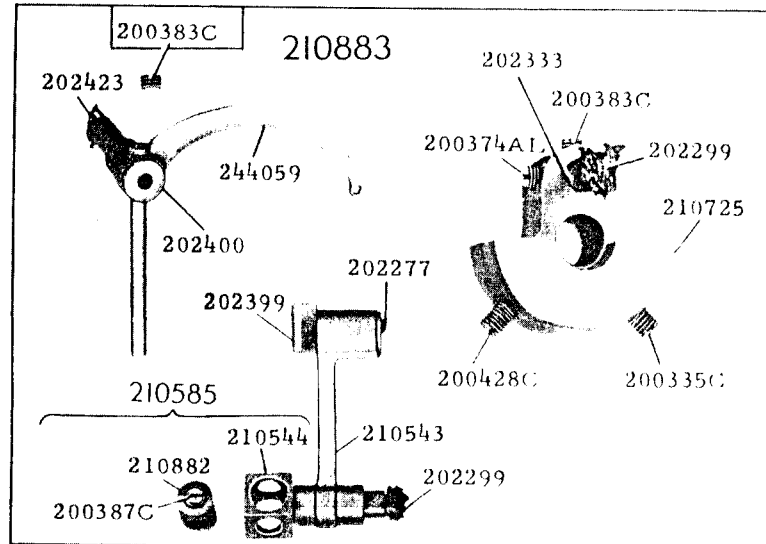
18932 - 1/2



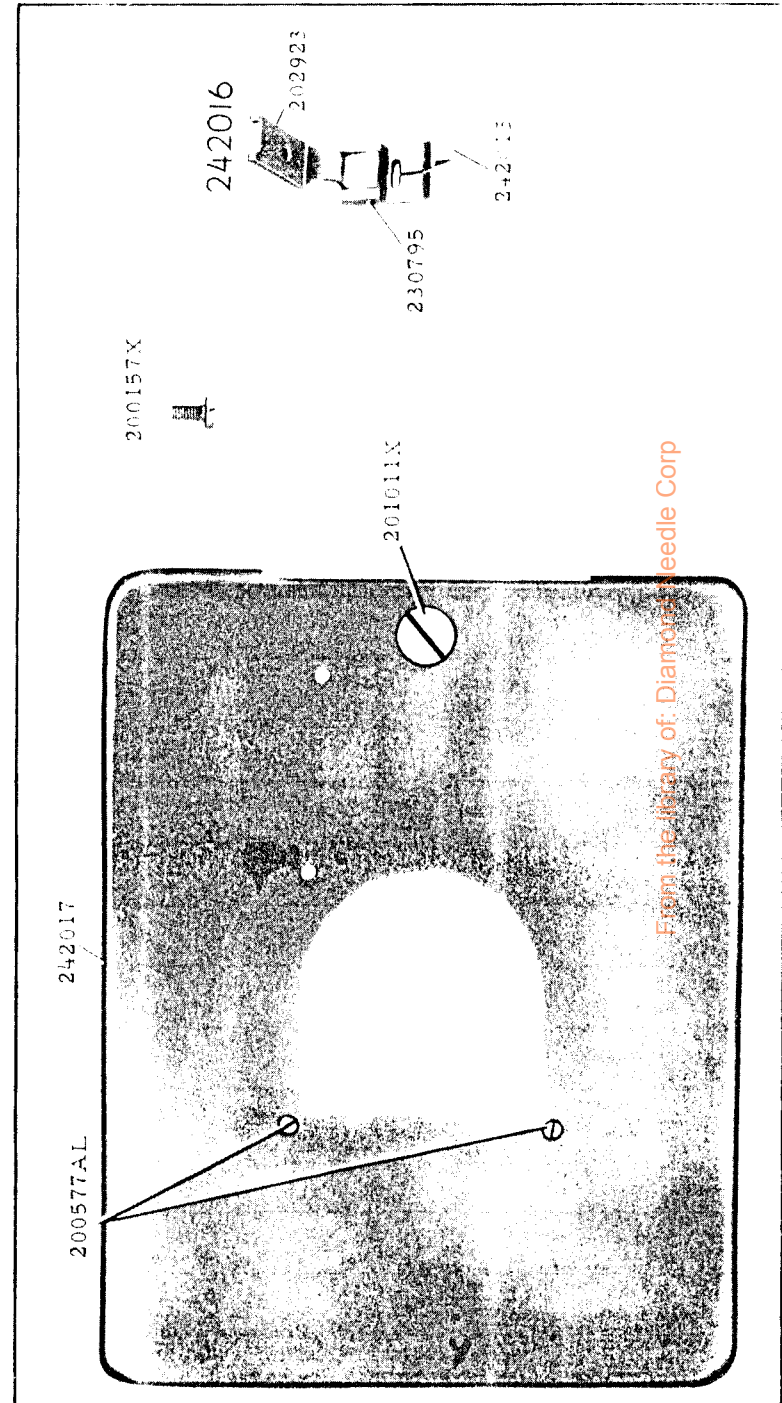
From the library of Diamond Needle Corp



18932 - 1/2



18936 - 1/2



From the library of: Diamond Seedle Corp

228251

